



# PRODUCTS CATALOG

ELECTRICAL ENCLOSURES & MODULAR CABINETS



# 20

[exmweb.com](http://exmweb.com)

WATER, OIL & DUST TIGHT WINDOWED TERMINAL BOXES, METRIC

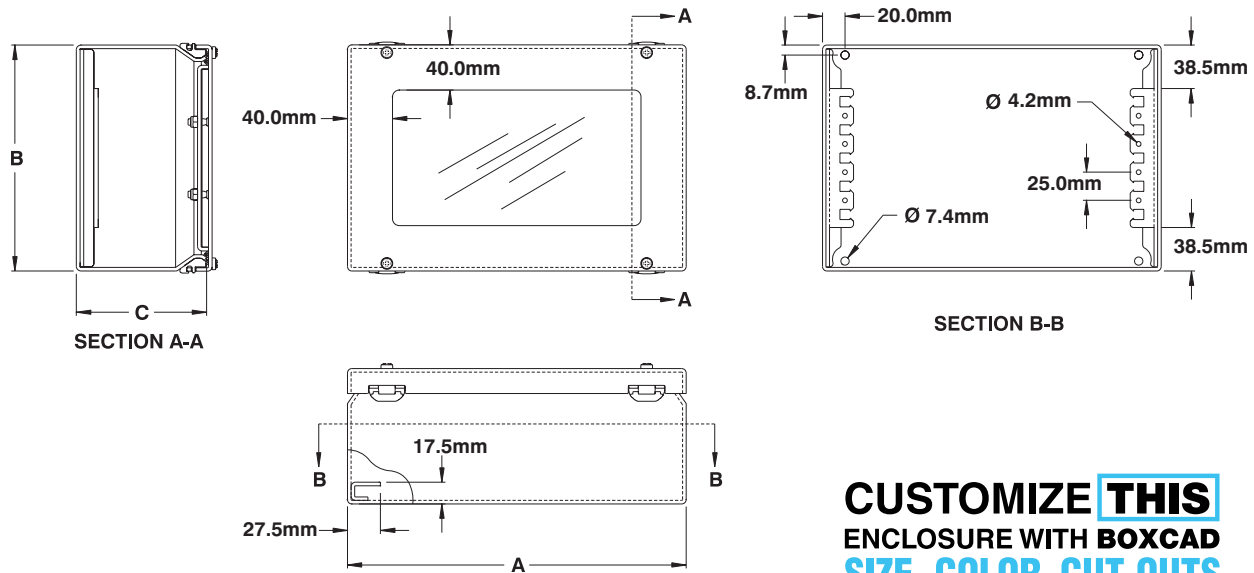
The 6412 ESWTB screw cover oil and dust tight enclosures are used indoors and outdoors to protect the enclosed controls from dust, dirt, oil and water splashing. The box and cover are made from code gauge steel with all seams continuously welded. The window is made of 1/4 inch polycarbonate. The opening has a curled lip around all sides to increase rigidity and prevent drip-

ping water from entering the box when the door is open. A high quality robotically poured-in-place seamless gasket ensures a complete and durable water-tight seal. The enclosure can be internally or externally mounted using optional wall mounting feet. These feet have oblong holes to facilitate installation. Mounting brackets are supplied on the bottom of the enclosure. Inner panels

can be ordered separately. (see page 174) Enclosures are finished with heat fused powder paint, electrostatically applied on a pre-treated base. Box is RAL7035 textured light gray.

**CSA Certified / UL Listed.**  
**NEMA/EEMAC 4-12 / IP66**

**Refer to p.734 to validate choice of substrate for the application**



**CUSTOMIZE THIS ENCLOSURE WITH BOXCAD SIZE - COLOR - CUT-OUTS**

CATALOG NUMBER	DIMENSIONS - METRIC (mm)			SHIP WGHT LBS.
	B	A	C	
6412 ESWTB151508	150	150	80	2
6412 ESWTB202008	200	200	80	4
6412 ESWTB302008	300	200	80	5
6412 ESWTB402008	400	200	80	6
6412 ESWTB502008	500	200	80	7
6412 ESWTB602008	600	200	80	9
6412 ESWTB802008	800	200	80	11
6412 ESWTB151512	150	150	120	4
6412 ESWTB202012	200	200	120	5
6412 ESWTB301512	300	150	120	4
6412 ESWTB302012	300	200	120	6
6412 ESWTB303012	300	300	120	8
6412 ESWTB402012	400	200	120	7
6412 ESWTB403012	400	300	120	9
6412 ESWTB404012	400	400	120	12
6412 ESWTB502012	500	200	120	8
6412 ESWTB503012	500	300	120	11
6412 ESWTB602012	600	200	120	10
6412 ESWTB603012	600	300	120	13
6412 ESWTB604012	600	400	120	16
6412 ESWTB606012	600	600	120	19
6412 ESWTB802012	800	200	120	13
6412 ESWTB804012	800	400	120	21

